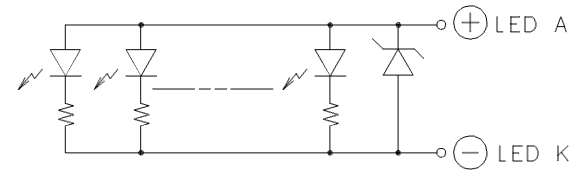
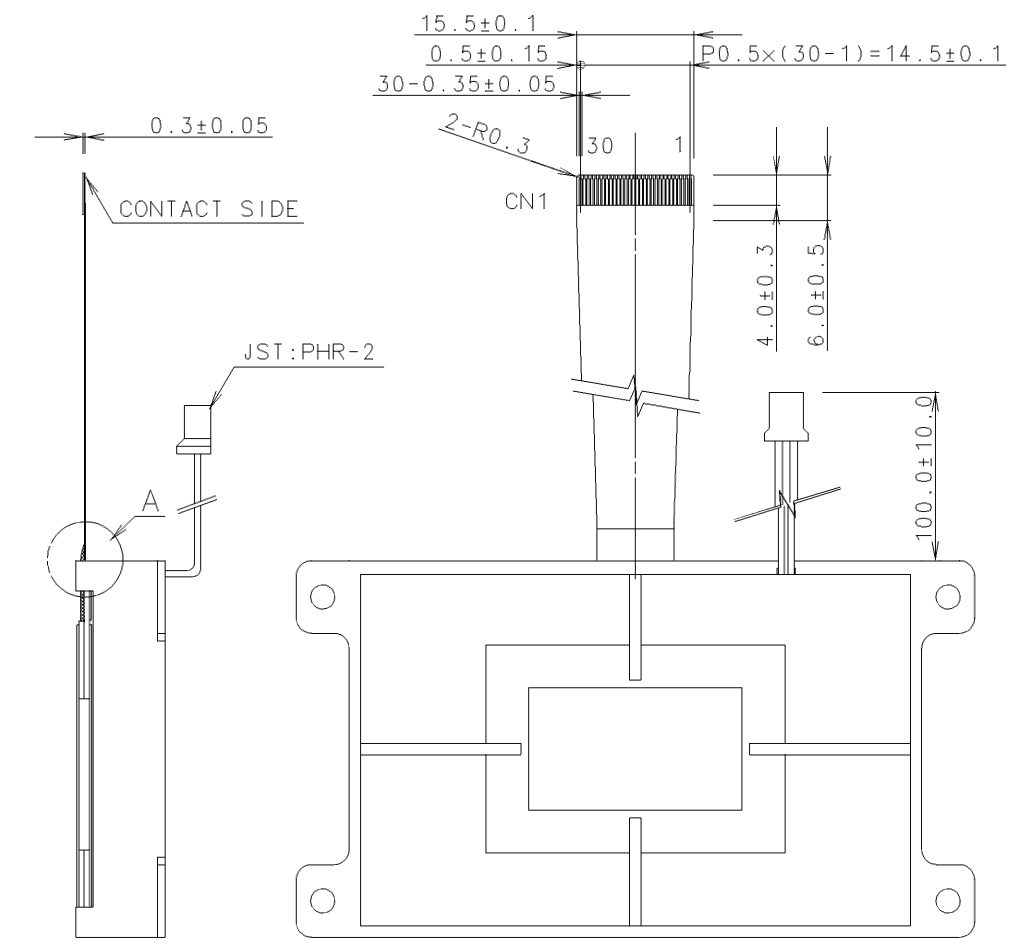
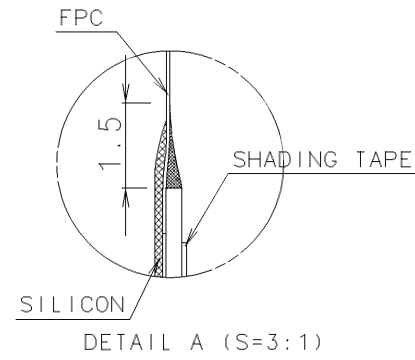
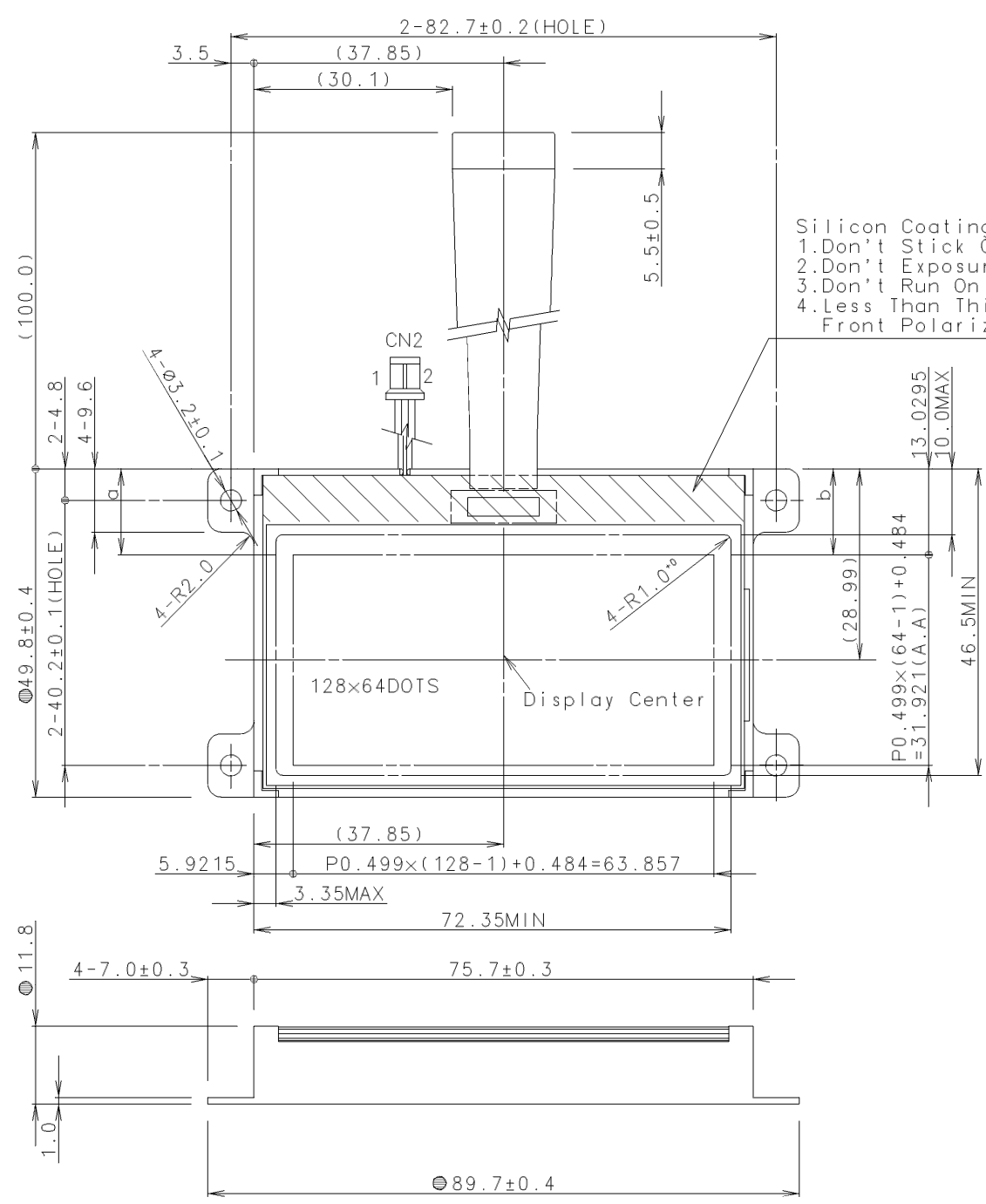


CIRCUIT DIAGRAM



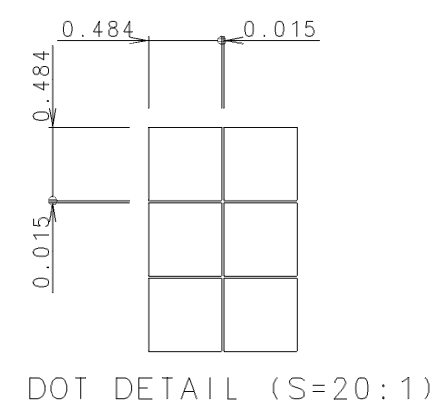
LED : 4chips



CN1 PIN ASSIGNMENT

No.	SYMBOL	No.	SYMBOL	No.	SYMBOL
1	CS1	11	D5	21	C2+
2	RES	12	D6	22	V1
3	A0	13	D7	23	V2
4	WR	14	VDD	24	V3
5	RD	15	VSS	25	V4
6	D0	16	VOUT	26	V5
7	D1	17	C3-	27	VR
8	D2	18	C1+	28	C86
9	D3	19	C1-	29	P/S
10	D4	20	C2-	30	NC

PIN No.	SYMBOL
1	LED A
2	LED K



- NOTES
1. Display Skew $|a-b| \leq 0.5$
 2. Do not use materials which are prohibited by RoHS.
 3. The dimensions with the mark (●) are controlled as a particular characteristic.

TOLERANCE		THIRD ANGLE PROJECTION	DATE	OPTREX CORPORATION
MEASURE	A B C		Feb. 25 '05	
L ≤ 16	±0.1 ±0.3 ±1	UNIT	APPROVED	TITLE
16 < L ≤ 63	±0.2 ±0.5 ±1.5	mm	M. MOTOHASHI	DIMENSIONAL OUTLINE
63 < L ≤ 250	±0.3 ±0.8 ±2	SCALE	CHECKED	CODE
250 < L ≤ 500	±0.5 ±1.2 ±3	1:1	T. SUZUKI	F-51852AE base
500 < L	±0.8 ±2 ±4		DRAWN	DWG NO
ANGLE	±1° ±5° ±10°		ERASA. TANG	UE-312414